

# State of Wyoming Corner Record

(In compliance with the *CORNER PERPETUATION AND FILING ACT*, Wyoming Statutes, 1997 Section 33-29-140 et. seq., and the Rules and Regulations of the Board of Professional Engineers and Professional Land Surveyors)

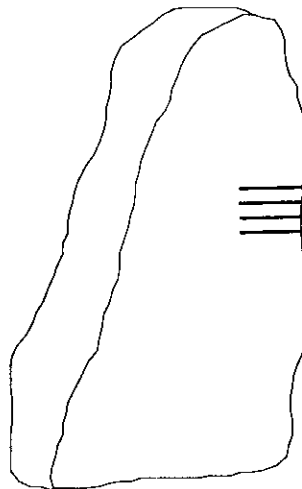
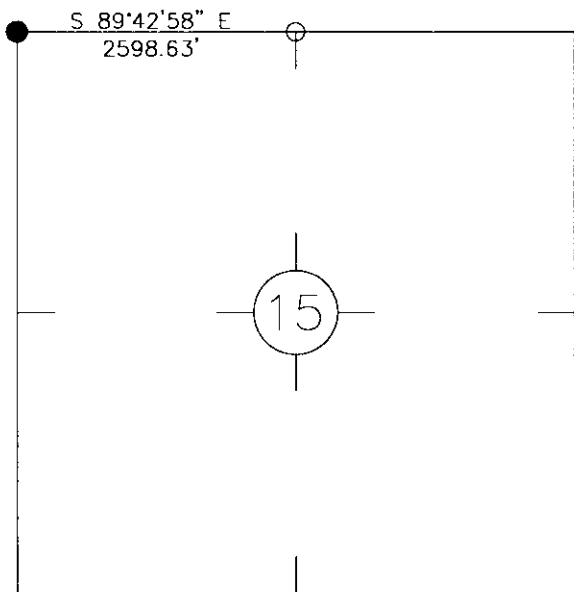
Reverse side of this form may be used if more space is needed.

Record of original survey and citation of source of historical information (if corner is lost or obliterated). Description of corner monumentation evidence found and/or monument and accessories established to perpetuate the location of this corner. Sketch of relative location of monument, accessories, and reference points with course and distance to adjacent corner(s) (if determined in this survey). Method and rationale for reestablishment of lost or obliterated corner.

ORIGINAL NOTES: SET STONE 18X7X5 FOR CORNER TO SECTIONS 9, 10, 15 & 16.

FOUND" SET STONE 19X9X6, 13" ABOVE GROUND, IN PILE OF STONES, MARKED WITH 4 SLASHES ON EAST FACE.

## Monument location



## Monument Inscription

Date of Field Work: 03/30/05

Office Reference 25876

RECORDED 6/27/2005 AT 1:24 PM REC# 420614 BK# 1889 PG# 748  
DEBRA K. LATHROP, CLERK OF LARAMIE COUNTY, WY PAGE 1 OF 1

## Cross Index Plat

Firm/Agency, Address

This corner record was prepared by me or under my direction and supervision.

Mark A Miller  
Trigon-EPC  
34 Van Gordon Street Suite 200  
Lakewood, CO. 80228  
Telephone Number: (303)-296-9645

SEAL & SIGNATURE

THE COORDINATES AND BEARINGS SHOWN HEREON ARE UTM, ZONE 13, NAD 83. ALL DISTANCES SHOWN HEREON ARE GRID DISTANCES.

NORTHING: 14896412.77  
EASTING: 1640263.23  
SCALE FACTOR: 0.9996000  
ELEV.: 6577.71  
ELEV. FACTOR: 0.99928798  
COMBINED FACTOR: 0.99968786



	1	2	3	4	5	6	7	8	9	10	11	12	13	14	15	16	17	18	19	20	21	22	23	24	25	
A	+	+	+	+	+	+	+	+	+	+	+	+	+	+	+	+	+	+	+	+	+	+	+	+	+	A
B	+	6	+	5	+	4	+	3	+	2	+	1	+	+	+	+	+	+	+	+	+	+	+	+	+	B
C	+	+	+	+	+	+	+	+	+	+	+	+	+	+	+	+	+	+	+	+	+	+	+	+	+	C
D	+	+	+	+	+	+	+	+	+	+	+	+	+	+	+	+	+	+	+	+	+	+	+	+	+	D
E	+	+	+	+	+	+	+	+	+	+	+	+	+	+	+	+	+	+	+	+	+	+	+	+	+	E
F	+	7	+	8	+	9	+	10	+	11	+	12	+	+	+	+	+	+	+	+	+	+	+	+	+	F
G	+	+	+	+	+	+	+	+	+	+	+	+	+	+	+	+	+	+	+	+	+	+	+	+	+	G
H	+	+	+	+	+	+	+	+	+	+	+	+	+	+	+	+	+	+	+	+	+	+	+	+	+	H
J	+	+	+	+	+	+	+	+	+	+	+	+	+	+	+	+	+	+	+	+	+	+	+	+	+	J
K	+	+	+	+	+	+	+	+	+	+	+	+	+	+	+	+	+	+	+	+	+	+	+	+	+	K
L	+	18	+	17	+	16	+	15	+	14	+	13	+	+	+	+	+	+	+	+	+	+	+	+	+	L
M	+	+	+	+	+	+	+	+	+	+	+	+	+	+	+	+	+	+	+	+	+	+	+	+	+	M
N	+	+	+	+	+	+	+	+	+	+	+	+	+	+	+	+	+	+	+	+	+	+	+	+	+	N
O	+	+	+	+	+	+	+	+	+	+	+	+	+	+	+	+	+	+	+	+	+	+	+	+	+	O
P	+	19	+	20	+	21	+	22	+	23	+	24	+	+	+	+	+	+	+	+	+	+	+	+	+	P
Q	+	+	+	+	+	+	+	+	+	+	+	+	+	+	+	+	+	+	+	+	+	+	+	+	+	Q
R	+	+	+	+	+	+	+	+	+	+	+	+	+	+	+	+	+	+	+	+	+	+	+	+	+	R
S	+	+	+	+	+	+	+	+	+	+	+	+	+	+	+	+	+	+	+	+	+	+	+	+	+	S
T	+	30	+	29	+	28	+	27	+	26	+	25	+	+	+	+	+	+	+	+	+	+	+	+	+	T
U	+	+	+	+	+	+	+	+	+	+	+	+	+	+	+	+	+	+	+	+	+	+	+	+	+	U
V	+	+	+	+	+	+	+	+	+	+	+	+	+	+	+	+	+	+	+	+	+	+	+	+	+	V
W	+	+	+	+	+	+	+	+	+	+	+	+	+	+	+	+	+	+	+	+	+	+	+	+	+	W
X	+	31	+	32	+	33	+	34	+	35	+	36	+	+	+	+	+	+	+	+	+	+	+	+	+	X
Y	+	+	+	+	+	+	+	+	+	+	+	+	+	+	+	+	+	+	+	+	+	+	+	+	+	Y
Z	+	+	+	+	+	+	+	+	+	+	+	+	+	+	+	+	+	+	+	+	+	+	+	+	+	Z
	1	2	3	4	5	6	7	8	9	10	11	12	13	14	15	16	17	18	19	20	21	22	23	24	25	

Corner Name NORTHWEST Section 15, T 12 N, R 68 W, 6th P.M. Cross-Index No.: J 13  
County: LARAMIE Wyoming